

SFP-1G-15-120K-D

1.25Gb/s 1550nm Single-mode SFP Transceiver

PRODUCT FEATURES

- ☁ Up to 1.25Gb/s data links
- ☁ DFB laser transmitter and APD receiver
- ☁ Up to 120km on 9/125μm SMF
- ☁ Hot-pluggable SFP footprint
- ☁ Duplex LC/UPC type pluggable optical interface
- ☁ Low power dissipation
- ☁ Metal enclosure, for lower EMI
- ☁ RoHS compliant and lead-free
- ☁ Single +3.3V power supply
- ☁ Compliant with SFF-8472
- ☁ Case operating temperature: 0°C to +70°C



APPLICATIONS

- ☁ Switch to Switch Interface
- ☁ Gigabit Ethernet
- ☁ Switched Backplane Applications
- ☁ Router/Server Interface
- ☁ Other Optical Links

INDONESIA OFFICE 
WEST PARK B-23
JL. BLVD. BARAT BSD CITY
PAGEDANGAN, TANGERANG
 BANTEN 15336
+62 2 150 858 721

HEAD OFFICE AND R&D LAB
UNIT 1 / 6 POWELLS ROAD
BROOKVALE, SYDNEY
NSW 2100 AUSTRALIA
 +61 2 8078 2207

MELBOURNE OFFICE
11 CORPORATE DRIVE
CRANBOURNE WEST
VIC 3977 AUSTRALIA
 +61 3 8679 4575

USA R&D LAB
48233
WARM SPRINGS BLVD.
FREMONT CA
 +1 510 945 1001
+1 510 298 5772

PRODUCT DESCRIPTION

Cloudtron SFP-1G-15-120K-D Small Form Factor Pluggable (SFP) transceivers are compatible with the Small Form Factor Pluggable Multi-Sourcing Agreement (MSA). The transceiver consists of five sections: the LD driver, the limiting amplifier, the digital diagnostic monitor, the DFB laser and the APD. The module data link up to 120KM in 9/125um single mode fibre.

The optical output can be disabled by a TTL logic high-level input of Tx Disable, and the system also can disable the module via I2C. Tx Fault is provided to indicate that degradation of the laser. Loss of signal (LOS) output is provided to indicate the loss of an input optical signal of receiver or the link status with partner. The system can also get the LOS (or Link)/Disable/Fault information via I2C register access.

I. Pin Descriptions

Pin	Symbol	Name/Description	Ref.
1	VEET	Transmitter Ground (Common with Receiver Ground)	1
2	TFAULT	Transmitter Fault.	
3	TDIS	Transmitter Disable. Laser output disabled on high or open.	2
4	MOD_DEF(2)	Module Definition 2. Data line for Serial ID.	3
5	MOD_DEF(1)	Module Definition 1. Clock line for Serial ID.	3
6	MOD_DEF(0)	Module Definition 0. Grounded within the module.	3
7	Rate Select	No connection required	4
8	LOS	Loss of Signal indication. Logic 0 indicates normal operation.	5
9	VEER	Receiver Ground (Common with Transmitter Ground)	1
10	VEER	Receiver Ground (Common with Transmitter Ground)	1
11	VEER	Receiver Ground (Common with Transmitter Ground)	1
12	RD-	Receiver Inverted DATA out. AC Coupled	
13	RD+	Receiver Non-inverted DATA out. AC Coupled	
14	VEER	Receiver Ground (Common with Transmitter Ground)	1
15	VCCR	Receiver Power Supply	
16	VCCT	Transmitter Power Supply	
17	VEET	Transmitter Ground (Common with Receiver Ground)	1
18	TD+	Transmitter Non-Inverted DATA in. AC Coupled.	
19	TD-	Transmitter Inverted DATA in. AC Coupled.	
20	VEET	Transmitter Ground (Common with Receiver Ground)	1

Notes:

1. Circuit ground is internally isolated from chassis ground.
2. Laser output disabled on T_{DIS} >2.0V or open, enabled on T_{DIS} <0.8V.
3. Should be pulled up with 4.7k - 10kohms on host board to a voltage between 2.0V and 3.6V. MOD_DEF (0) pulls line low to indicate module is plugged in

INDONESIA OFFICE 
 WEST PARK B-23
 JL. BLVD. BARAT BSD CITY
 PAGEDANGAN, TANGERANG
 BANTEN 15336
 +62 2 150 858 721

HEAD OFFICE AND R&D LAB
 UNIT 1 / 6 POWELLS ROAD
 BROOKVALE, SYDNEY
 NSW 2100 AUSTRALIA
 +61 2 8078 2207

MELBOURNE OFFICE
 11 CORPORATE DRIVE
 CRANBOURNE WEST
 VIC 3977 AUSTRALIA
 +61 3 8679 4575

USA R&D LAB
 48233
 WARM SPRINGS BLVD.
 FREMONT CA
 +1 510 945 1001
 +1 510 298 5772

4. This is an optional input used to control the receiver bandwidth for compatibility with multiple data rates (most likely Fibre Channel 1x and 2x Rates). If implemented, the input will be internally pulled down with > 30kΩ resistor. The input states are:
- | | |
|----------------------|-------------------|
| Low (0 – 0.8V): | Reduced Bandwidth |
| (>0.8, < 2.0V): | Undefined |
| High (2.0 – 3.465V): | Full Bandwidth |
| Open: | Reduced Bandwidth |
5. LOS is open collector output should be pulled up with 4.7k - 10kohms on host board to a voltage between 2.0V and 3.6V. Logic 0 indicates normal operation; logic 1 indicates loss of signal.

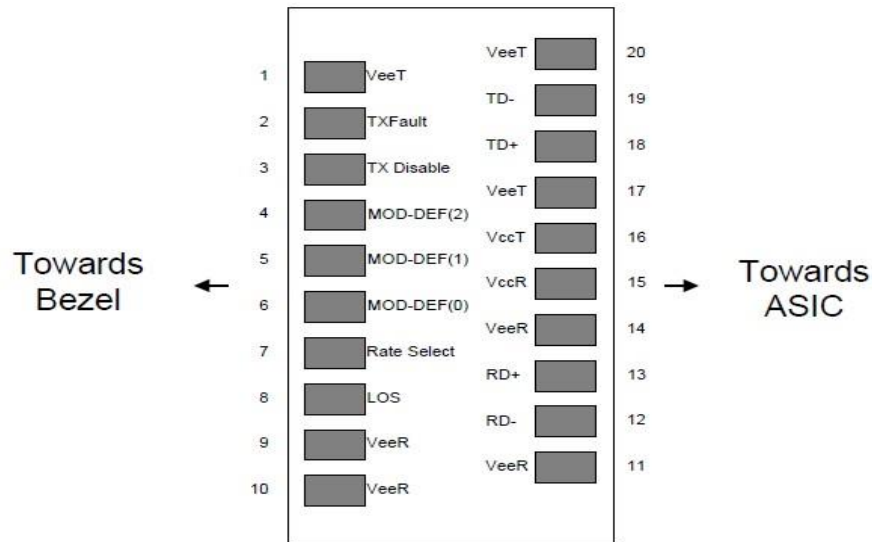


Figure2. Pin out of Connector Block on Host Board

II. Absolute Maximum Ratings

Parameter	Symbol	Min.	Typ.	Max.	Unit
Storage Temperature	Ts	-40		85	°C
Storage Ambient Humidity	HA	5		95	%
Power Supply Voltage	Vcc	-0.5		4	V
Signal Input Voltage		-0.3		Vcc+0.3	V
Receiver Damage Threshold		+7			dBm

III. Recommended Operating Conditions

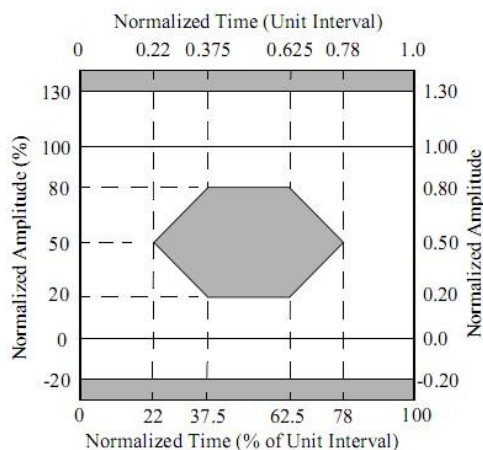
Parameter	Symbol	Min.	Typ.	Max.	Unit	Note
Case Operating Temperature	T _{case}	0		70	°C	
Ambient Humidity	HA	5		70	%	Non-condensing
Power Supply Voltage	V _{cc}	3.13	3.3	3.47	V	
Power Supply Current	I _{cc}			300	mA	
Power Supply Noise Rejection				100	mVp-p	100Hz to 1MHz
Data Rate			1250/1250		Mbps	TX Rate/RX Rate
Transmission Distance				120	KM	
Coupled Fibre	Single mode fibre					9/125um SMF

IV. Specification of Transmitter

Parameter	Symbol	Min.	Typ.	Max.	Unit	Note
Average Output Power	P _{OUT}	0		5	dBm	
Extinction Ratio	ER	9			dB	
Centre Wavelength	λ _c	1530	1550	1570	nm	DFB Laser
Side Mode Suppression Ratio	SMSR	30			dB	
Spectrum Bandwidth(-20dB)	σ			1	nm	
Transmitter OFF Output Power	P _{off}			-45	dBm	
Differential Line Input Impedance	R _{IN}	90	100	110	Ohm	
Jitter P-P	t _J			0.1	UI	Note (1)
Output Eye Mask	Compliant with IEEE802.3 z (class 1 laser safety)					Note (2)

Note (1): Measure at 2⁷-1 NRZ PRBS pattern.

Note (2): Transmitter eye mask definition.



INDONESIA OFFICE 
 WEST PARK B-23
 JL. BLVD. BARAT BSD CITY
 PAGEDANGAN, TANGERANG
 BANTEN 15336
 +62 2 150 858 721

HEAD OFFICE AND R&D LAB
 UNIT 1 / 6 POWELLS ROAD
 BROOKVALE, SYDNEY
 NSW 2100 AUSTRALIA
 +61 2 8078 2207

MELBOURNE OFFICE
 11 CORPORATE DRIVE
 CRANBOURNE WEST
 VIC 3977 AUSTRALIA
 +61 3 8679 4575

USA R&D LAB
 48233
 WARM SPRINGS BLVD.
 FREMONT CA
 +1 510 945 1001
 +1 510 298 5772

V. Specification of Receiver

Parameter	Symbol	Min.	Typ.	Max.	Unit	Note
Input Optical Wavelength	λ_{IN}	1270		1610	nm	APD
Receiver Sensitivity	P_{IN}			-32	dBm	Note (1)
Input Saturation Power (Overload)	P_{SAT}	-10			dBm	
Los Of Signal Assert	P_A	-40			dBm	
Los Of Signal De-assert	P_D			-34	dBm	Note (2)
LOS Hysteresis	P_A-P_D	0.5	2	6	dB	

Note (1): Measured with Light source 1550nm, ER=9dB; BER $\leq 10^{-12}$ @PRBS=2⁷-1 NRZ.

Note (2): When LOS de-asserted, the RX data+/- output is signal output.

VI. Electrical Interface Characteristics

Parameter	Symbol	Min.	Typ.	Max.	Unit	Note
Transmitter						
Total Supply Current	I_{CC}			A	mA	Note (1)
Transmitter Disable Input-High	V_{DISH}	2		$V_{CC}+0.3$	V	
Transmitter Disable Input-Low	V_{DISL}	0		0.8	V	
Transmitter Fault Input-High	V_{DISL}	2		$V_{CC}+0.3$	V	
Transmitter Fault Input-Low	V_{TxFH}	0		0.8	V	
Receiver						
Total Supply Current	I_{CC}			B	mA	Note (1)
LOSS Output Voltage-High	V_{LOSH}	2		$V_{CC}+0.3$	V	LVTTTL
LOSS Output Voltage-Low	V_{LOSL}	0		0.8	V	

Note (1): A (TX) + B (RX) = 300mA (Not include termination circuit)

VII. Digital Diagnostic Functions

Cloudtron SFP-1G-15-120K-D transceivers support the 2-wire serial communication protocol as defined in the SFP MSA. It is very closely related to the E2PROM defined in the GBIC standard, with the same electrical specifications. The standard SFP serial ID provides access to identification information that describes the transceiver's capabilities, standard interfaces, manufacturer, and other information.


Additionally, Cloudtron SFP transceivers provide a unique enhanced digital diagnostic monitoring interface, which allows real-time access to device operating parameters such as transceiver temperature, laser bias current, transmitted optical power, received optical power and transceiver supply voltage. It also defines a sophisticated system of alarm and warning flags, which alerts end-users when particular operating parameters are outside of a factory set normal range.

The SFP MSA defines a 256-byte memory map in E2PROM that is accessible over a 2-wire serial interface at the 8bit address 1010000X (A0h). The digital diagnostic monitoring interface makes use of the 8bit address 1010001X (A2h), so the originally defined serial ID memory map remains unchanged. The interface is identical to, and is thus fully backward compatible with both the GBIC Specification and the SFP Multi Source Agreement.

The operating and diagnostics information is monitored and reported by a Digital Diagnostics Transceiver Controller (DDTC) inside the transceiver, which is accessed through a 2-wire serial interface. When the serial protocol is activated, the serial clock signal (SCL, Mod Def 1) is generated by the host. The positive edge clocks data into the SFP transceiver into those segments of the E2PROM that are not write-protected. The negative edge clocks data from the SFP transceiver. The serial data signal (SDA, Mod Def 2) is bi-directional for serial data transfer. The host uses SDA in conjunction with SCL to mark the start and end of serial protocol activation. The memories are organized as a series of 8-bit data words that can be addressed individually or sequentially.

Digital diagnostics for the SFP-1G-15-120K-D are internally calibrated by default.

INDONESIA OFFICE

WEST PARK B-23
JL. BLVD. BARAT BSD CITY
PAGEDANGAN, TANGERANG
BANTEN 15336
 +62 2 150 858 721

HEAD OFFICE AND R&D LAB

UNIT 1 / 6 POWELLS ROAD
BROOKVALE, SYDNEY
NSW 2100 AUSTRALIA
 +61 2 8078 2207

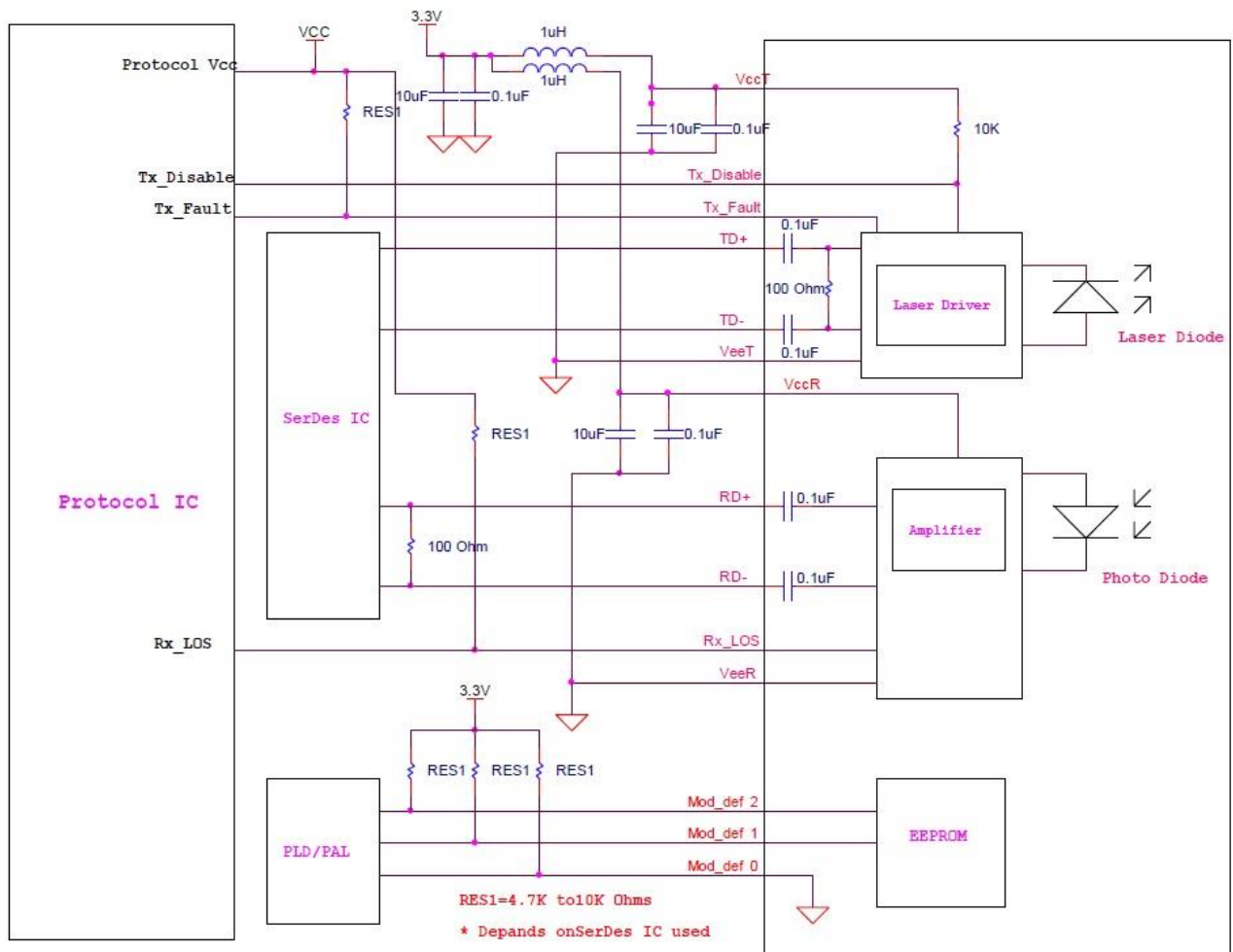
MELBOURNE OFFICE

11 CORPORATE DRIVE
CRANBOURNE WEST
VIC 3977 AUSTRALIA
 +61 3 8679 4575

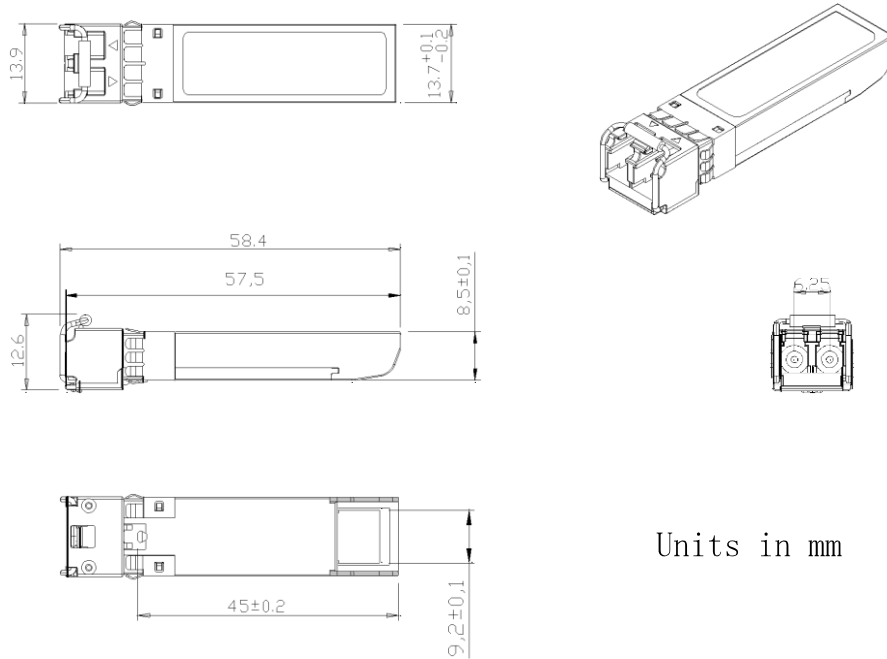
USA R&D LAB

48233
WARM SPRINGS BLVD.
FREMONT CA
 +1 510 945 1001
+1 510 298 5772

VIII. Recommend Circuit Schematic



IX. Mechanical Specifications (Unit: mm)



Units in mm

SFP-1G-15-120K-D

X. Regulatory Compliance

Feature	Reference	Performance
Electrostatic discharge (ESD)	IEC/EN 61000-4-2	Compatible with standards
Electromagnetic Interference(EMI)	FCC Part 15 Class B EN 55022 Class B (CISPR 22A)	Compatible with standards
Laser Eye Safety	FDA 21CFR 1040.10, 1040.11 IEC/EN 60825-1, 2	Class 1 laser product
Component Recognition	IEC/EN 60950, UL	Compatible with standards
ROHS	2002/95/EC	Compatible with standards
EMC	EN61000-3	Compatible with standards

INDONESIA OFFICE 
 WEST PARK B-23
 JL. BLVD. BARAT BSD CITY
 PAGEDANGAN, TANGERANG
 BANTEN 15336
 +62 2 150 858 721

HEAD OFFICE AND R&D LAB
 UNIT 1 / 6 POWELLS ROAD
 BROOKVALE, SYDNEY
 NSW 2100 AUSTRALIA
 +61 2 8078 2207

MELBOURNE OFFICE
 11 CORPORATE DRIVE
 CRANBOURNE WEST
 VIC 3977 AUSTRALIA
 +61 3 8679 4575

USA R&D LAB
 48233
 WARM SPRINGS BLVD.
 FREMONT CA
 +1 510 945 1001
 +1 510 298 5772